

CAMERA ENCLOSER WITH PROTECTIVE AIR CURTAIN

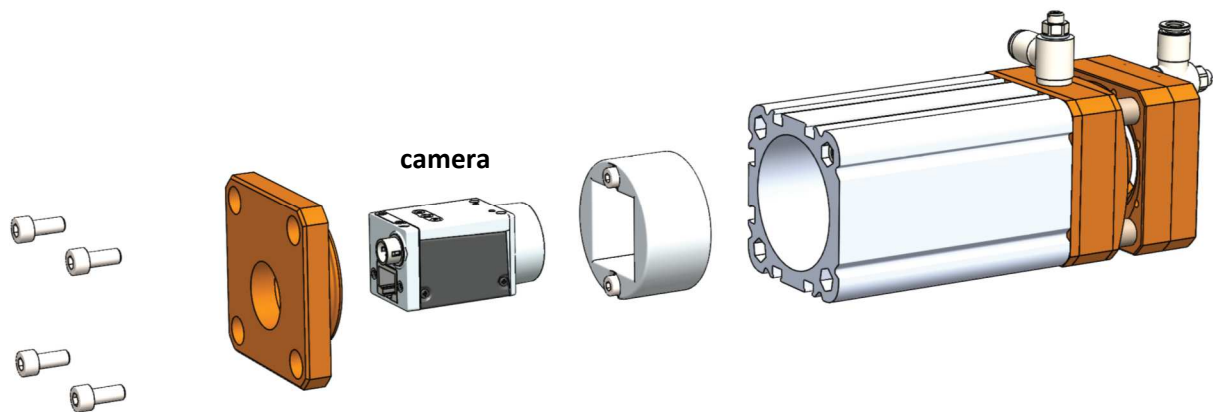


Data sheet

1 KEY FEATURES

- Using cameras under unfavorable conditions and in dirty environments.
- Designed for a series of Basler Ace cameras **and their dimensional equivalents**.
- Protection against dust and other dirt, moisture, water and emulsions.
- Robust mechanical design - made of aluminum.
- The air curtain significantly prolongs cleaning periods, reduces costs and maintenance time.
- The back of the cover contains an M25 thread for cable glands etc.

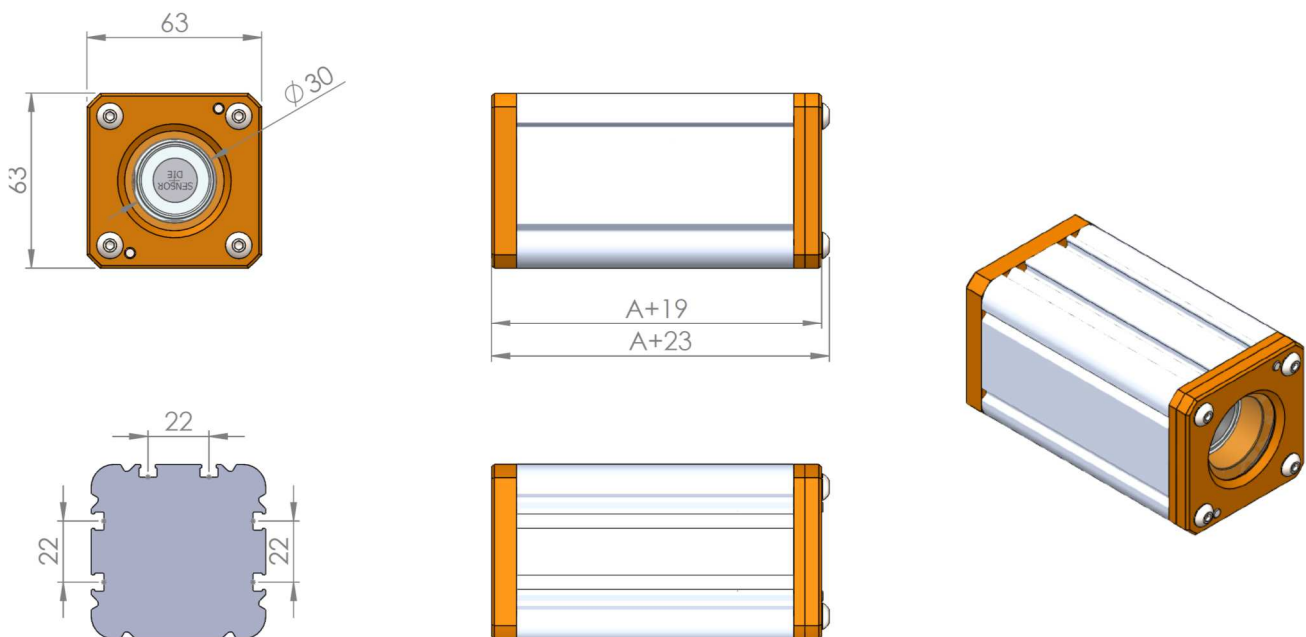
Fig. 1 - Location of the camera in the enclosure



2 PRODUCT VARIATIONS

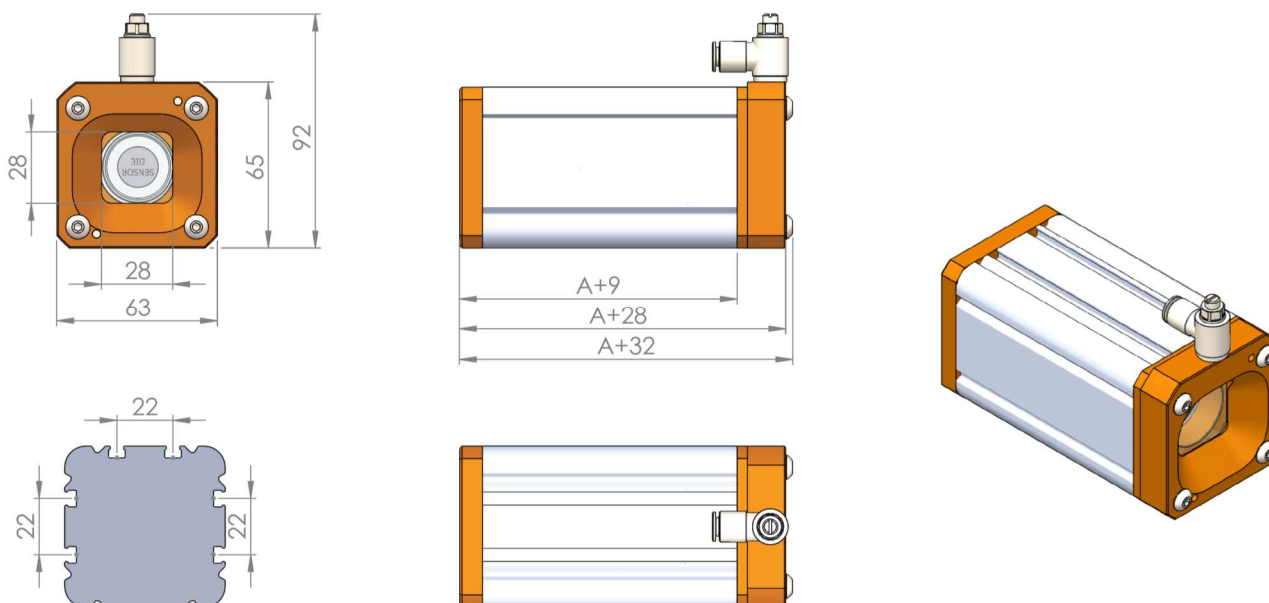
VNOK-A

- Simple mechanical enclosure - basic option without air curtain



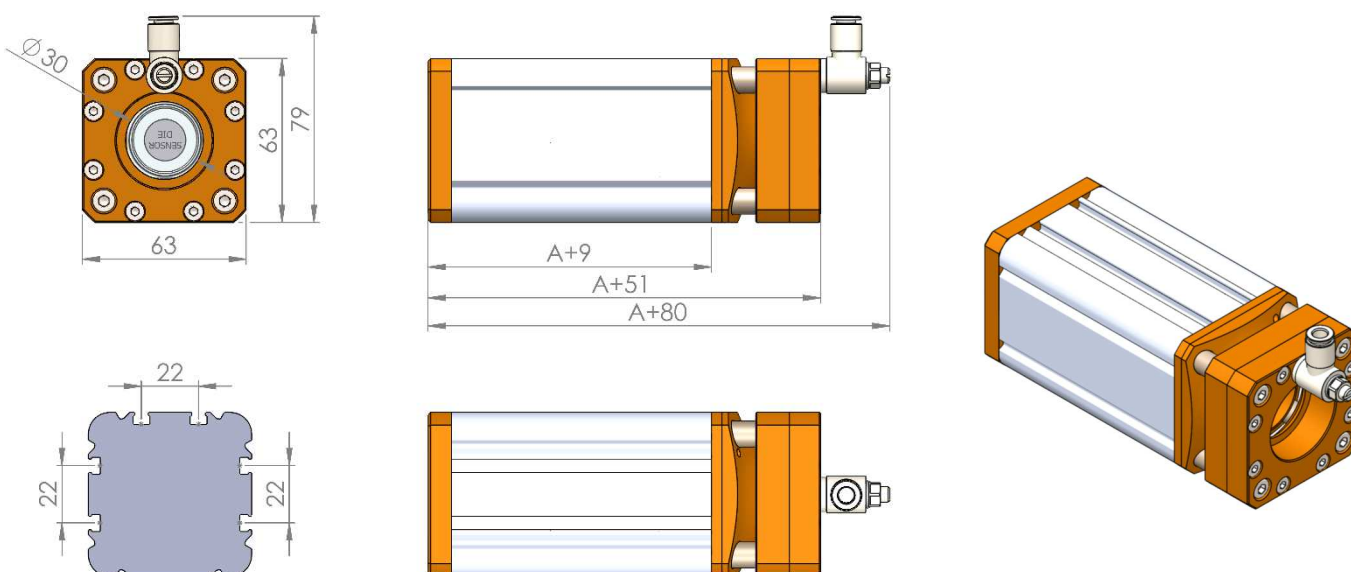
VNOK-B

- Camera protection in less demanding applications.
 - o It contains a basic air curtain to remove dirt from the glass covering the lens.
 - o In intermittent use suitable for removing dry dust impurities.
 - o For permanent use it is also effective against moist dust, oily smoke etc.



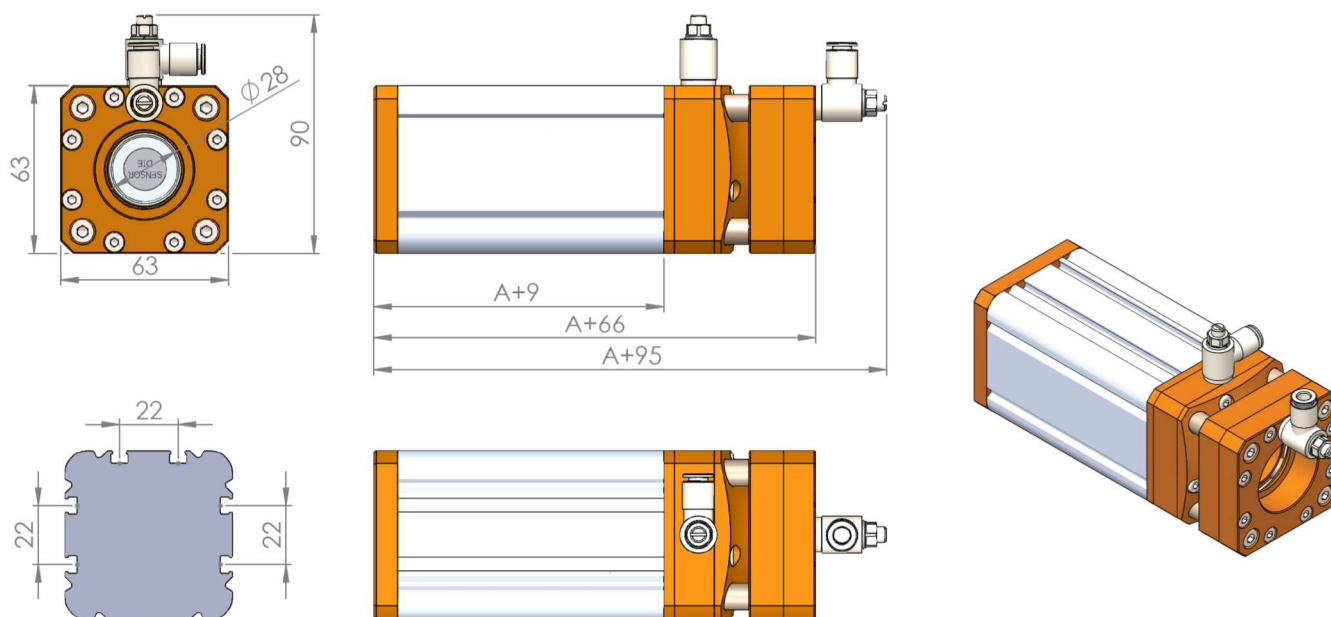
VNOK-C

- Camera protection in medium-duty applications.
 - o Camera enclosure with integrated active air blow - The cone-shaped airflow is directed away from the lens cover to prevent its pollution.
 - o Can also be used against lightly splashing fluids and larger impurities.



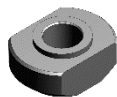
VNOK-D

- Option for the most demanding applications.
 - o Camera enclosure with integrated multistage active air blow.
 - o It includes a combination of a cone nozzle blow, a transvector nozzle and a flat air curtain.
 - o Protection against splashing liquids.
 - o Also suitable for use in CNC machines.



Effectiveness of the air curtain depends on the weight, speed and direction of the particles.

3 ACCESSORIES



VNOK – M groove mounting nuts; M4 thread



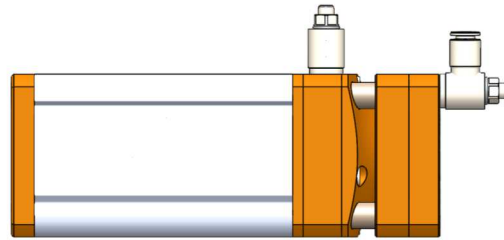
VNOK – S groove mounting bolt; M5 thread; including the washer and the nut



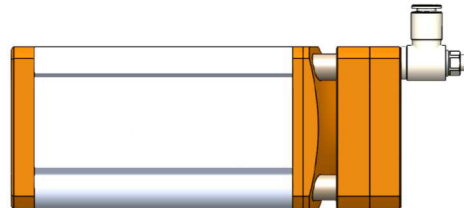
SVKB-18 throttle valve; for a screwdriver; 1/8 "connection; for 8 mm hose



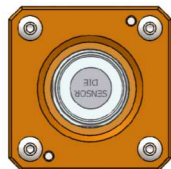
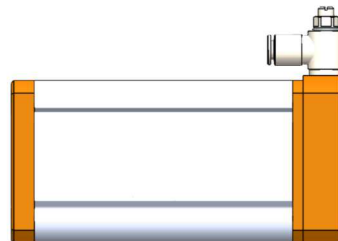
VNOK-D



VNOK-C



VNOK-B



VNOK-A

