



TVD-R-AL-065

adjustable	size
material of the body	065 ... DN 6,5 mm
aluminium alloy ... AL	100 ... DN 10 mm
stainless steel ... SS	130 ... DN 13 mm
	190 ... DN 19 mm

This is an adjustable flow rate single stage vacuum pump – transvector. Its design enables particles and small debris to pass directly through the pump.

Specifications

Medium	dry compressed air
Working pressure	4 to 7 bar
Max. vacuum	- 84 kPa
Max. flow	3.390 l/min

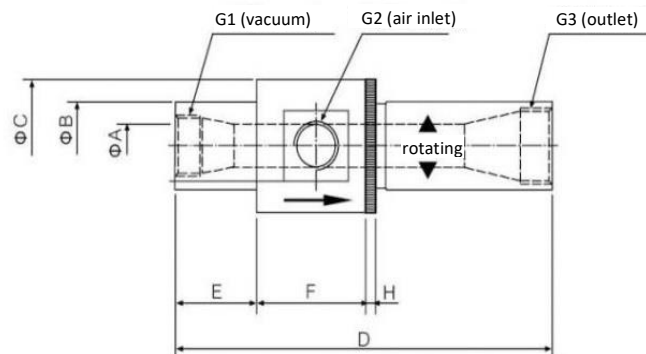
Applications:

- transferring material
- powder, chips, plastic granulate, food...
- powder transfer in drilling and grinding operations
- smoke extraction, chips removal...

type	vacuum flow [l/min] at different vacuum levels [kPa]				
	-17	-34	-50	-68	-84
TVD-R-AL-065	280	240	200	162	125
TVD-R-AL-100	846	735	620	520	395
TVD-R-AL-130	1695	1325	1130	990	650
TVD-R-AL-190	3390	2460	1970	1440	1130

type	air supply pressure [bar]	compressed air consumption [l _n /min] at different vacuum levels [kPa]				
		-17	-34	-50	-68	-84
TVD-R-AL-065	5.5	112	169	233	68	342
TVD-R-AL-100		176	327	485	595	825
TVD-R-AL-130		340	625	795	940	1280
TVD-R-AL-190		650	875	1250	1790	2550

Dimensions



typ	dimensions									
	ø A [mm]	G1	G2	G3	D [mm]	ø B [mm]	ø C [mm]	E [mm]	F [mm]	H [mm]
TVD-R-AL-065	6.5	G 1/4	G 1/8	G 1/4	94 - 105	19	35	22	35	5
TVD-R-AL-100	10	G 3/8	G 3/8	G 1/2	155 - 165	25	45	38	45	5
TVD-R-AL-130	13	G 1/2	G 3/8	G 3/4	155 - 160	32	51	38	51	5
TVD-R-AL-190	19	G 3/4	G 1/2	G 1	175 - 183	38	58	38	51	5