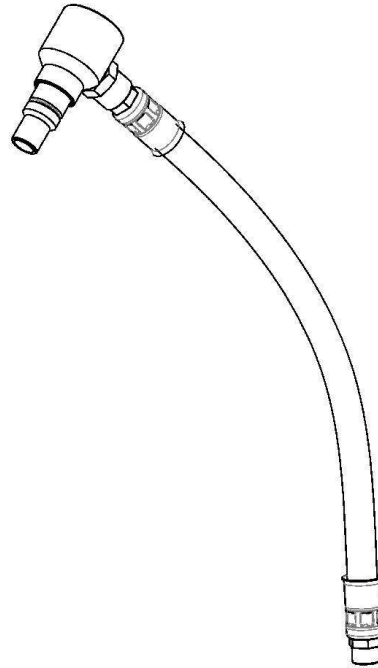
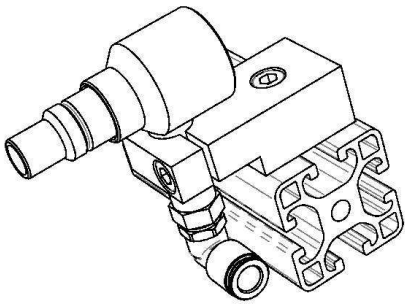


## Recommended mounting

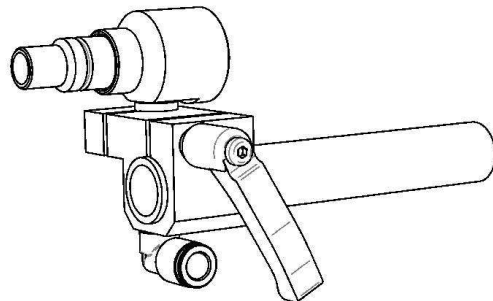
mounting on flexible hoses  
hose type: **FH-14-AA-XXX (length)**



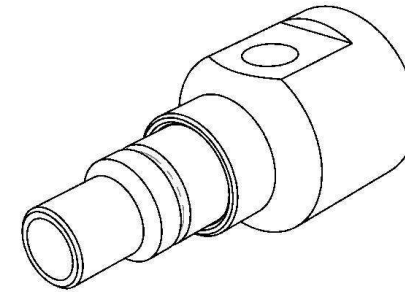
mounting on aluminium profiles  
mounting kit: **MS-TV-1**



mounting on tubes  
mounting kit: **MS-TV-2**



# TV-R



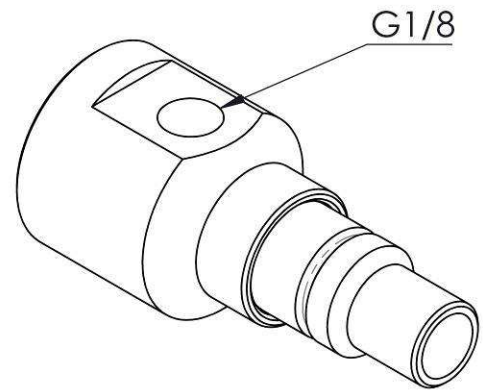
**MOS technik s.r.o.**  
Jižní 724/14  
742 35 Odry  
Czech Republic  
VAT: CZ29381045

**Company office**  
Nádražní 29  
742 35 Odry  
tel: +420 602 729 019  
e-mail: info@mostechnik.cz

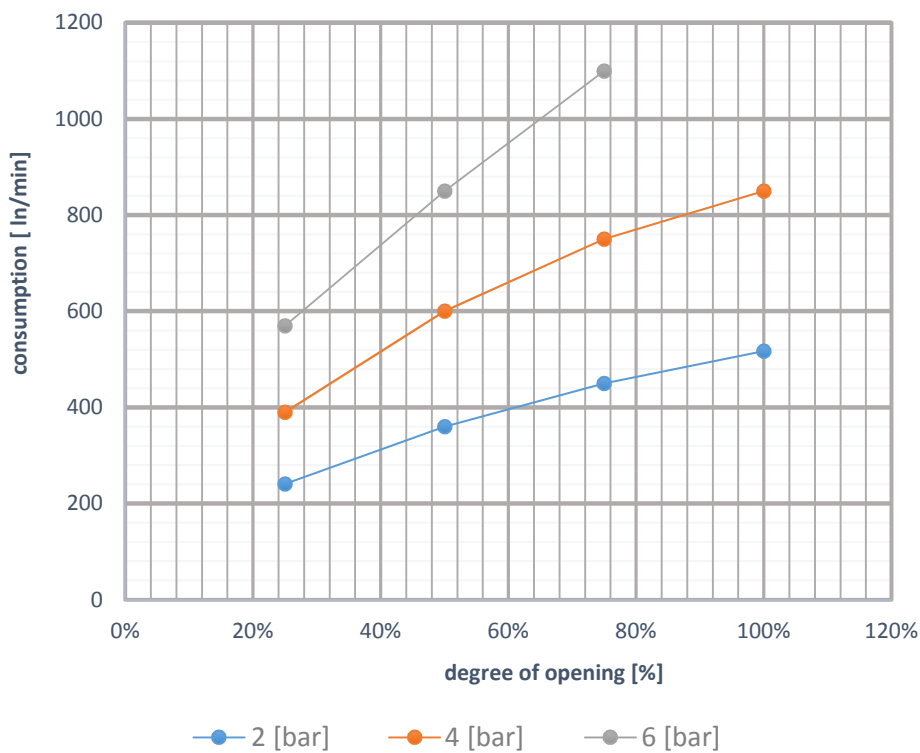
# Technical details

## Compressed air source

connection: 1x G 1/8"  
max. pressure: 8 bar  
filtered air: min. 25µm



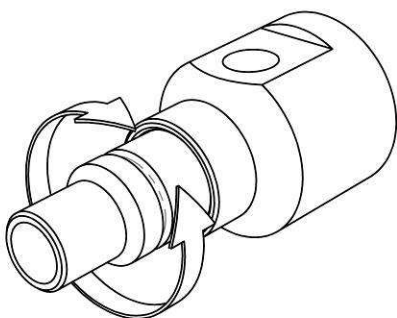
## compressed air consumption - TV [ l/min ]



It is necessary to ensure sufficient supply of compressed air for correct function of the nozzle.

Inlet tubes and fittings must be designed to prevent large pressure losses.

## Adjustment of the nozzle



You can easily adjust the power of the air stream by rotating with the front part of the nozzle.